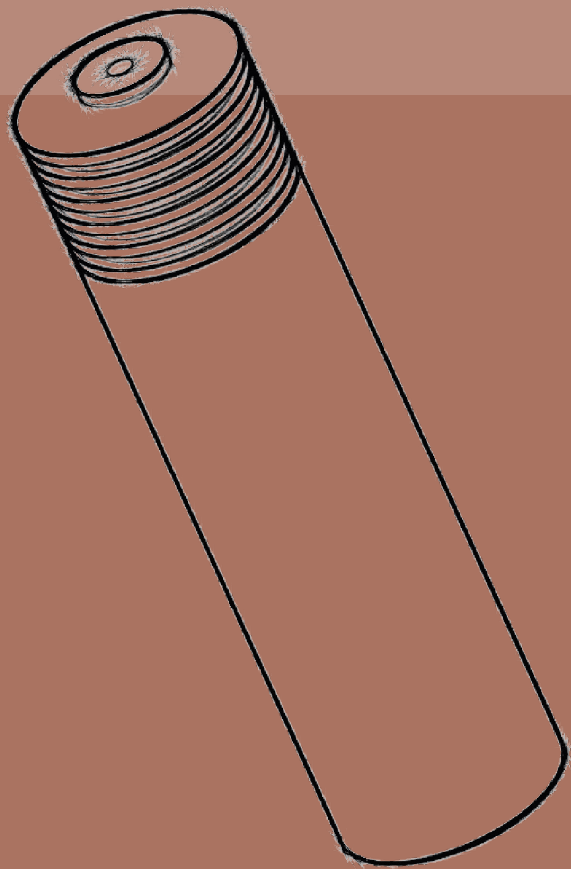


*invenso*  
LUCE D'AUTORE

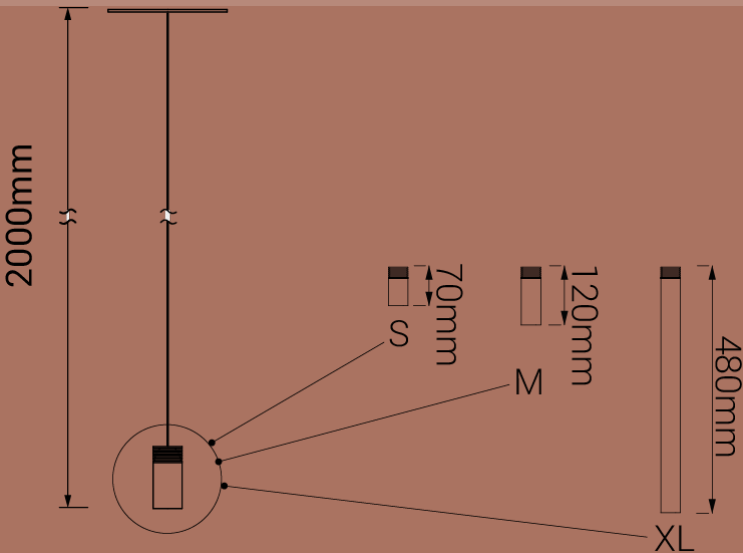


**Sequenza Mini**

---

**SM300**



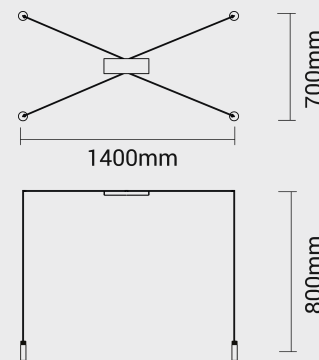
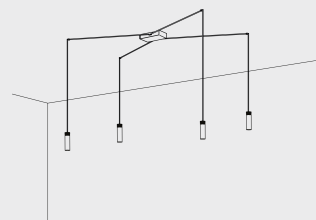


**Sequenza Mini**

**SM300**

Wall attachment  
includes 2 single cleat E012

LED: 4x2 W | 350 mA | 3000K | CRI 90  
1328 lm | 166 lm/W | > 50.000h | T 55°C  
ALIMENTATORE: 350 mA | 220/240V | 50/60 Hz  
Dimmer elettronico: 0/10-1-10-PUSH



**Finishes**

- OT:** Brushed brass
- BR:** Bronze
- RA:** Copper
- NI:** Nickel
- NE:** Black

**Diffuser**

- 00:** Full transparent PMMA
- 99:** Full vitrified PMMA

**Accessories**

Electronic dimmer: DALI

