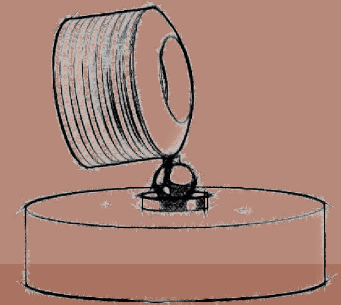
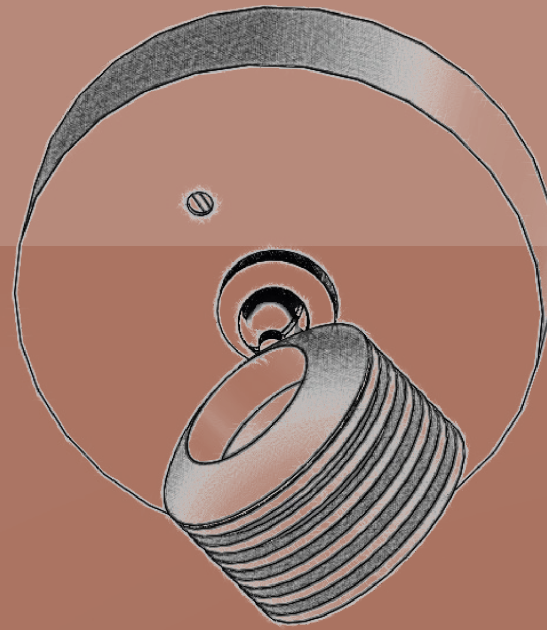


invenso
LUCI D'AUTORE



Sequenza Wally

SQW102



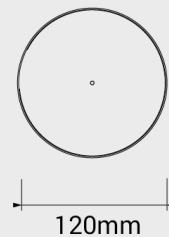
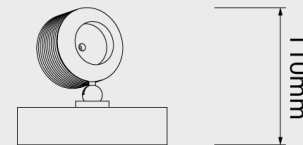
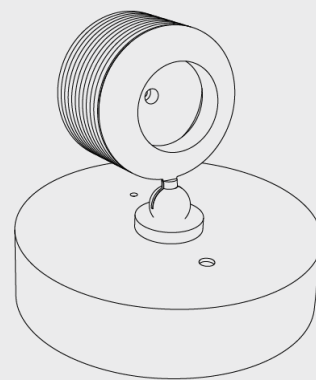
Wally mobile

Sequenza Wally

SQW102

Wall attachment
includes 2 single cleat E012

LED: 3,9 W | 350 mA | 3000K | CRI 90 | 560 lm
144 lm/W | > 60.000h | T 55°C
ALIMENTATORE 350 mA | 220/240V | 50/60 Hz
Dimmer push touch



Finishes

OT: Brushed brass
BR: Bronze
RA: Copper

NI: Nickel
NE: Black

Diffuser

01: Metal ring 24°
02: Metal ring 38°
03: Metal ring 45°

11: Opal ring 24°
12: Opal ring 38°
13: Opal ring 45°